
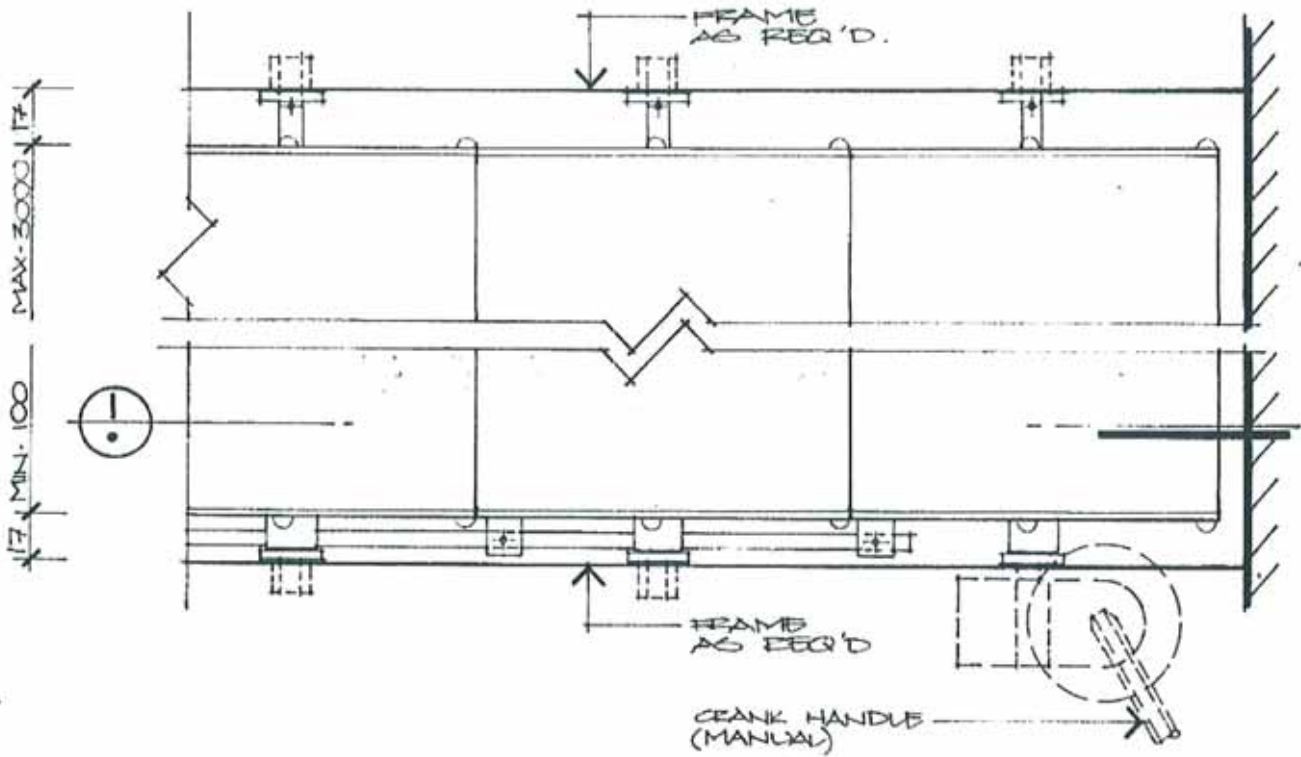
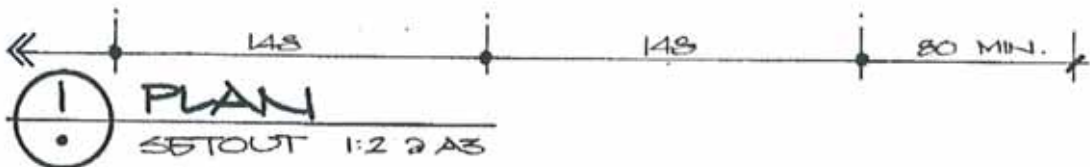
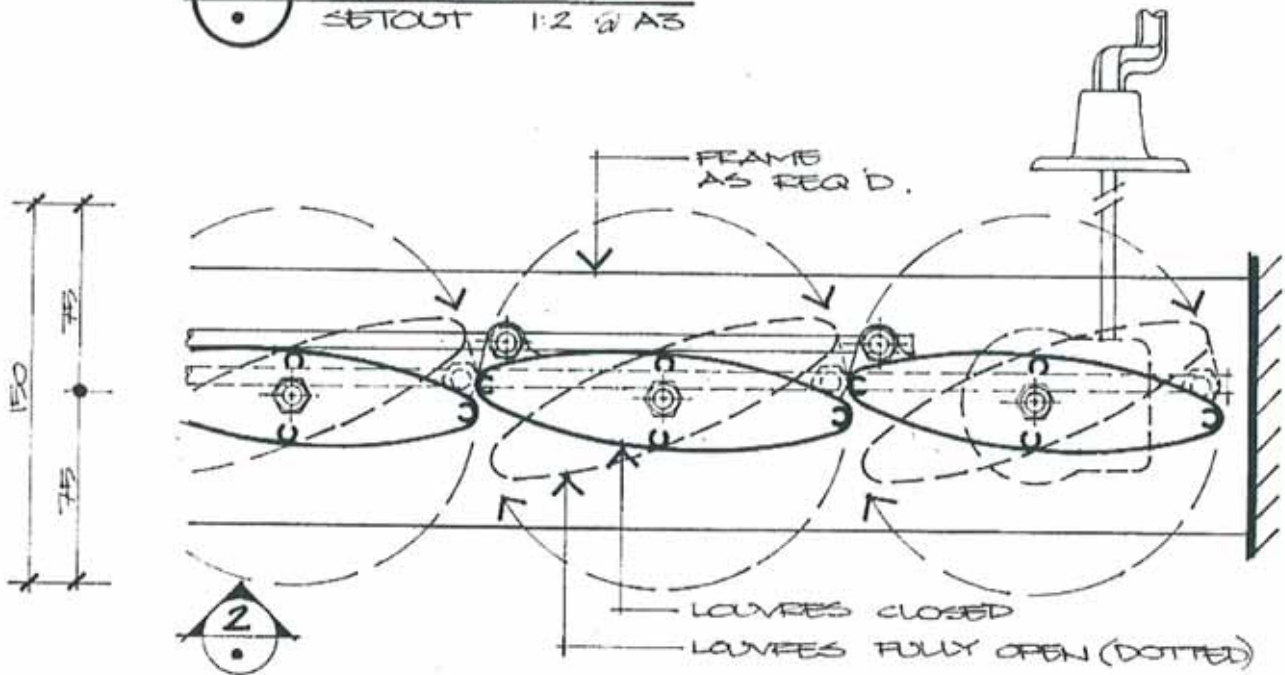



**ISOMETRIC VIEW**  
 1:2 2 A3

 <p> <b>JWI LOUVRES PTY. LTD.</b>          31 Prime Drive          Seven Hills NSW 2147          Ph: 02 9674 3600 Fax: 02 9674 3530       </p>	SYSTEM: <p style="text-align: center;"><b>JWI 150.E - O</b></p>	DWG No.: <p style="text-align: center;"><b>150-01</b></p>
	PART No.:	PAGE No.:
	DWG TITLE: <p style="text-align: center;"><b>150mm ELLIPSOID - OPERABLE DETAILS</b></p>	



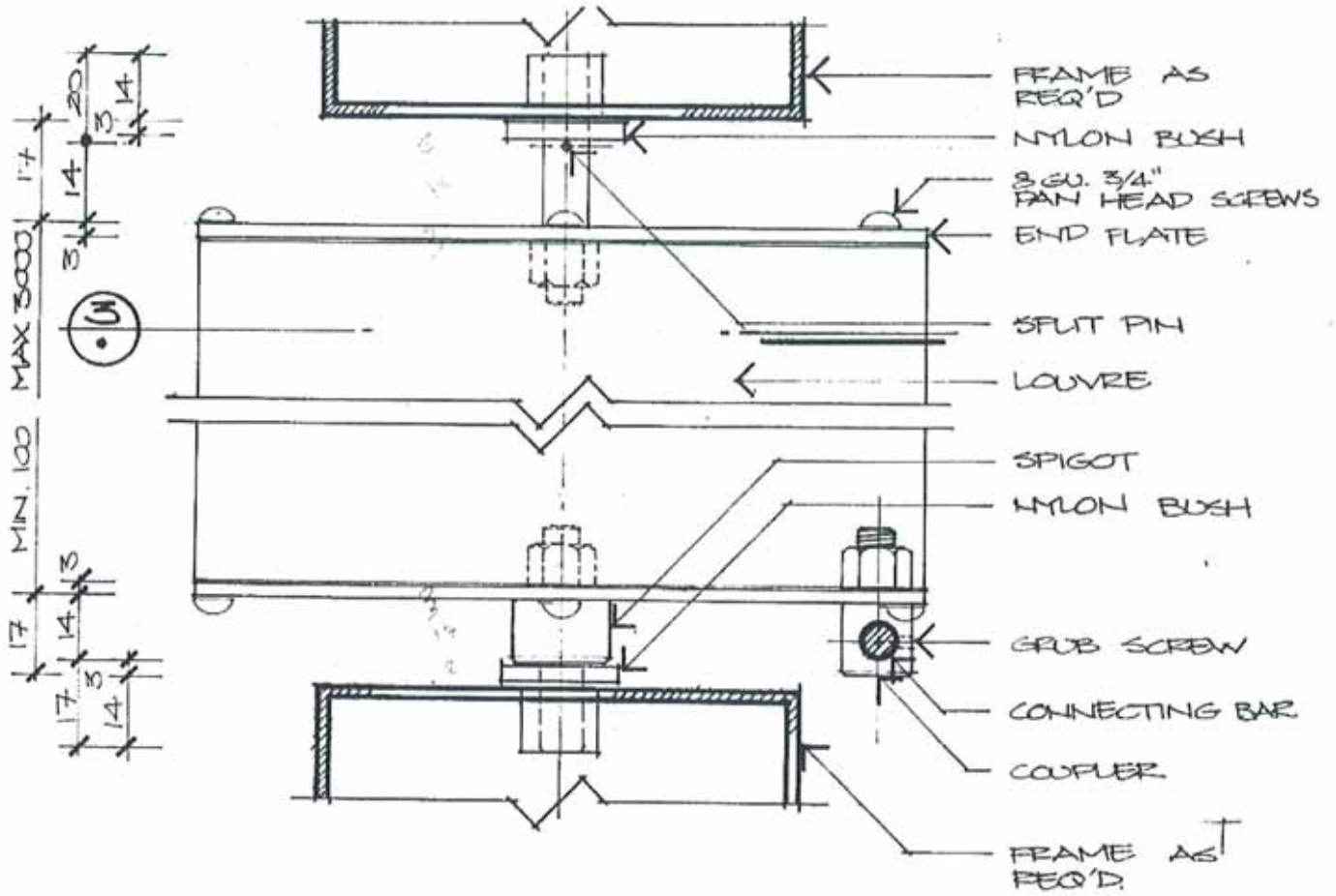
**2 ELEVATION**  
 SETOUT 1:2 @ A3



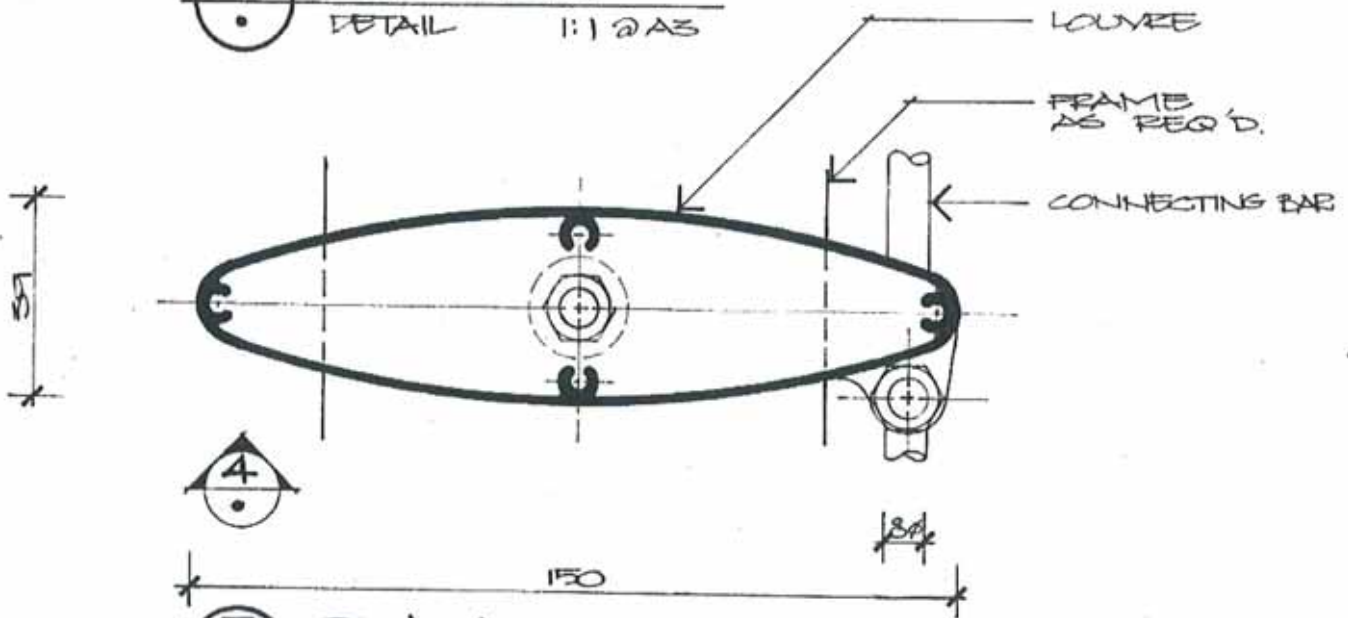
**JWI LOUVRES PTY. LTD.**

31 Prime Drive  
 Seven Hills NSW 2147  
 Ph: 02 9674 3600 Fax: 02 9674 3530

SYSTEM:	<b>JWI 150.E - O</b>	DWG No.:	150-02
PART No.:			
DWG TITLE:	<b>150mm ELLIPSOID - OPERABLE    DETAILS</b>	PAGE No.:	



④ SECTION  
DETAIL 1:1 @ A3



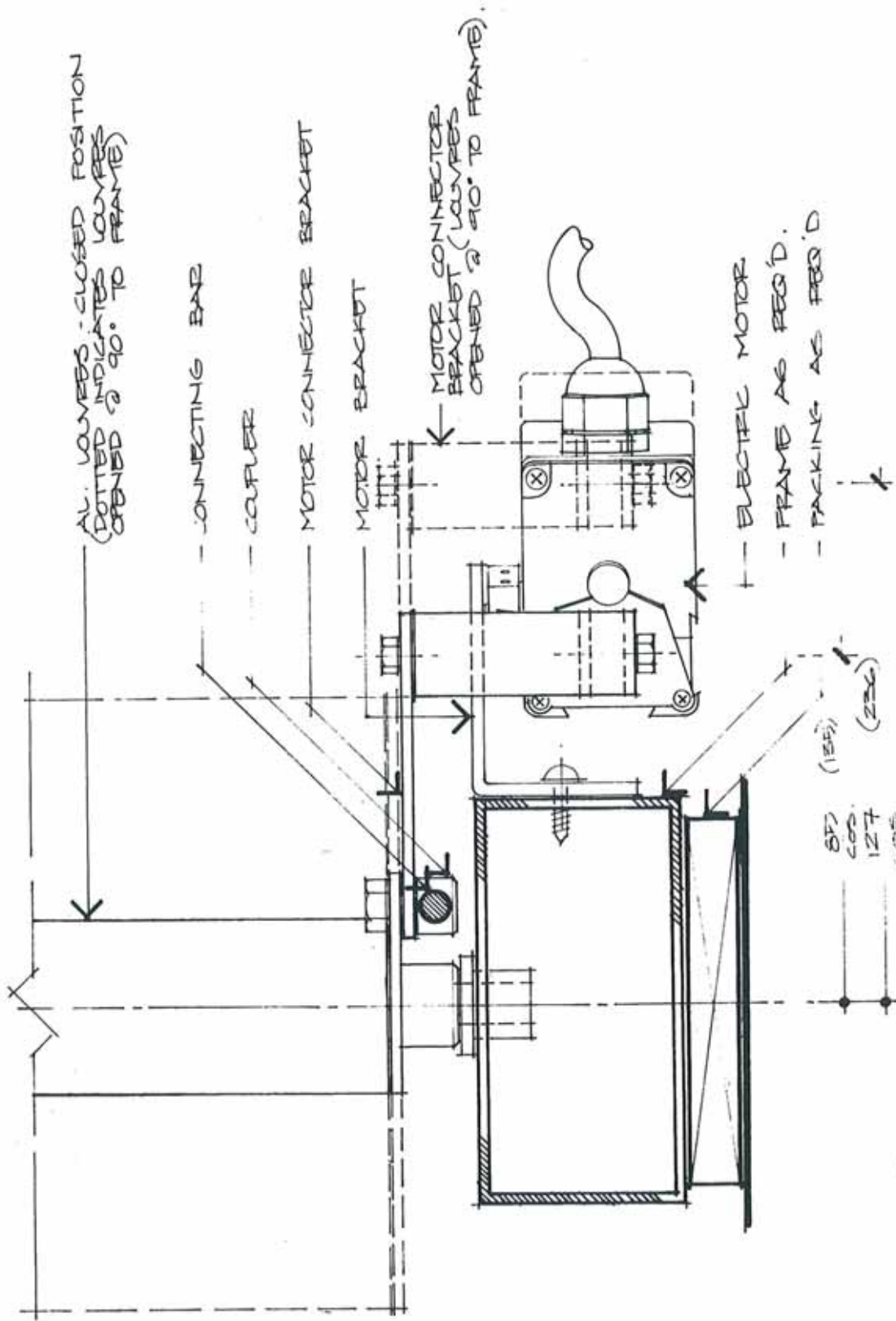
③ PLAN  
DETAIL 1:1 @ A3



JWI LOUVRES PTY. LTD.


31 Prime Drive  
Seven Hills NSW 2147  
Ph: 02 9674 3600 Fax: 02 9674 3530

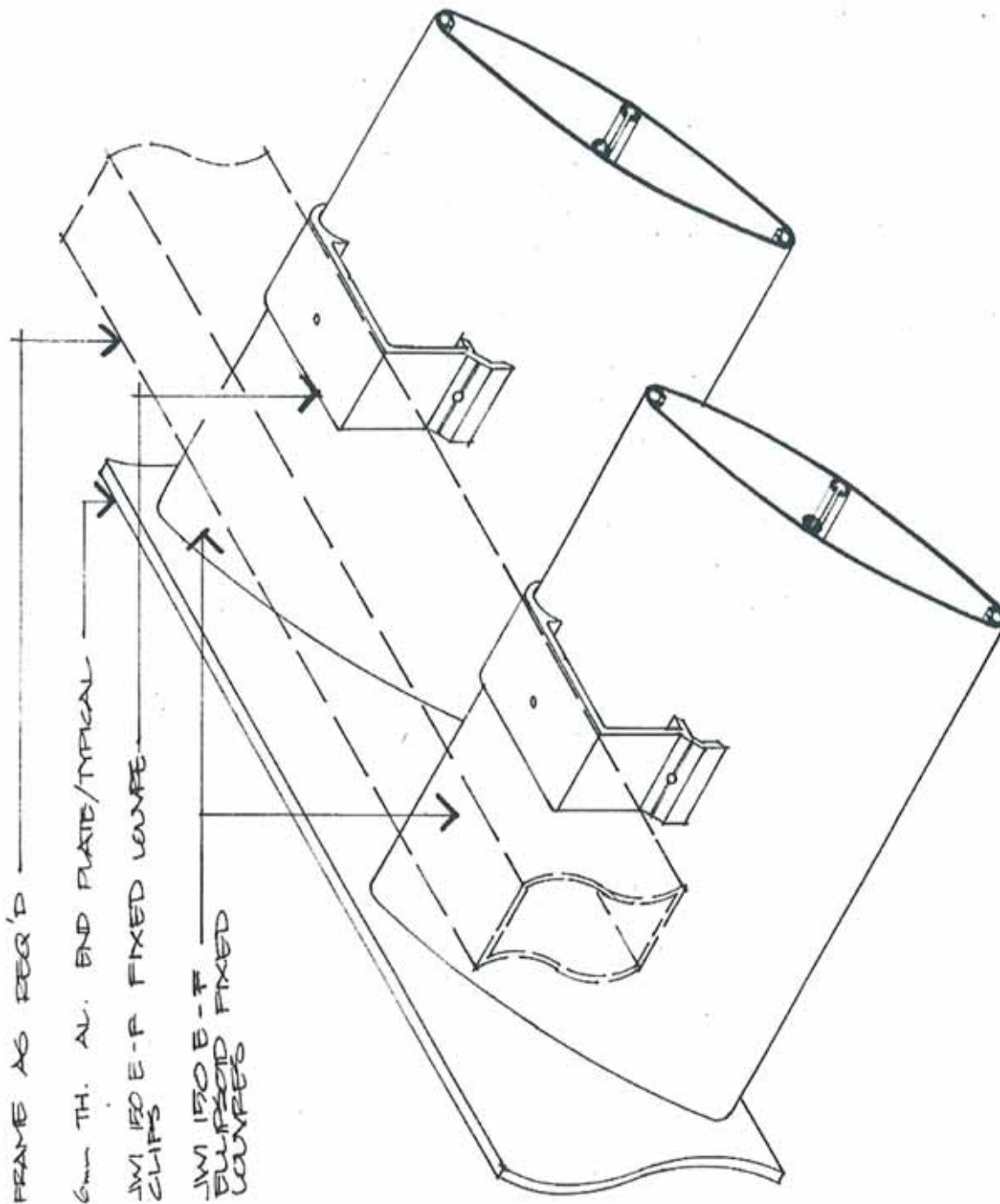
SYSTEM:	JWI 150.E - O	DWG No.:	150-03
PART No.:		PAGE No.:	
DWG TITLE:	150mm ELLIPSOID - OPERABLE DETAILS		



NOTE: DIMENSIONS IN BRACKETS REFER TO 300mm ELLIPSOID LOUVRES & MOTOR CONNECTOR BRACKET

5  
04  
DETAIL  
1:1 @ A3

 <p><b>JWI LOUVRES PTY. LTD.</b> 31 Prime Drive Seven Hills NSW 2147 Ph: 02 9674 3600 Fax: 02 9674 3530</p>	SYSTEM:	<b>JWI 150.E - O</b>	DWG No.:
	PART No.:		<b>150-06</b>
	DWG TITLE:	<b>150mm ELLIPSOID - OPERABLE MOTOR BRACKET / CONNECTOR DETAILS</b>	



○ ISOMETRIC VIEW  
 NTS



**JWI LOUVRES PTY. LTD.**

31 Prime Drive  
 Seven Hills NSW 2147  
 Ph: 02 9674 3600 Fax: 02 9674 3530

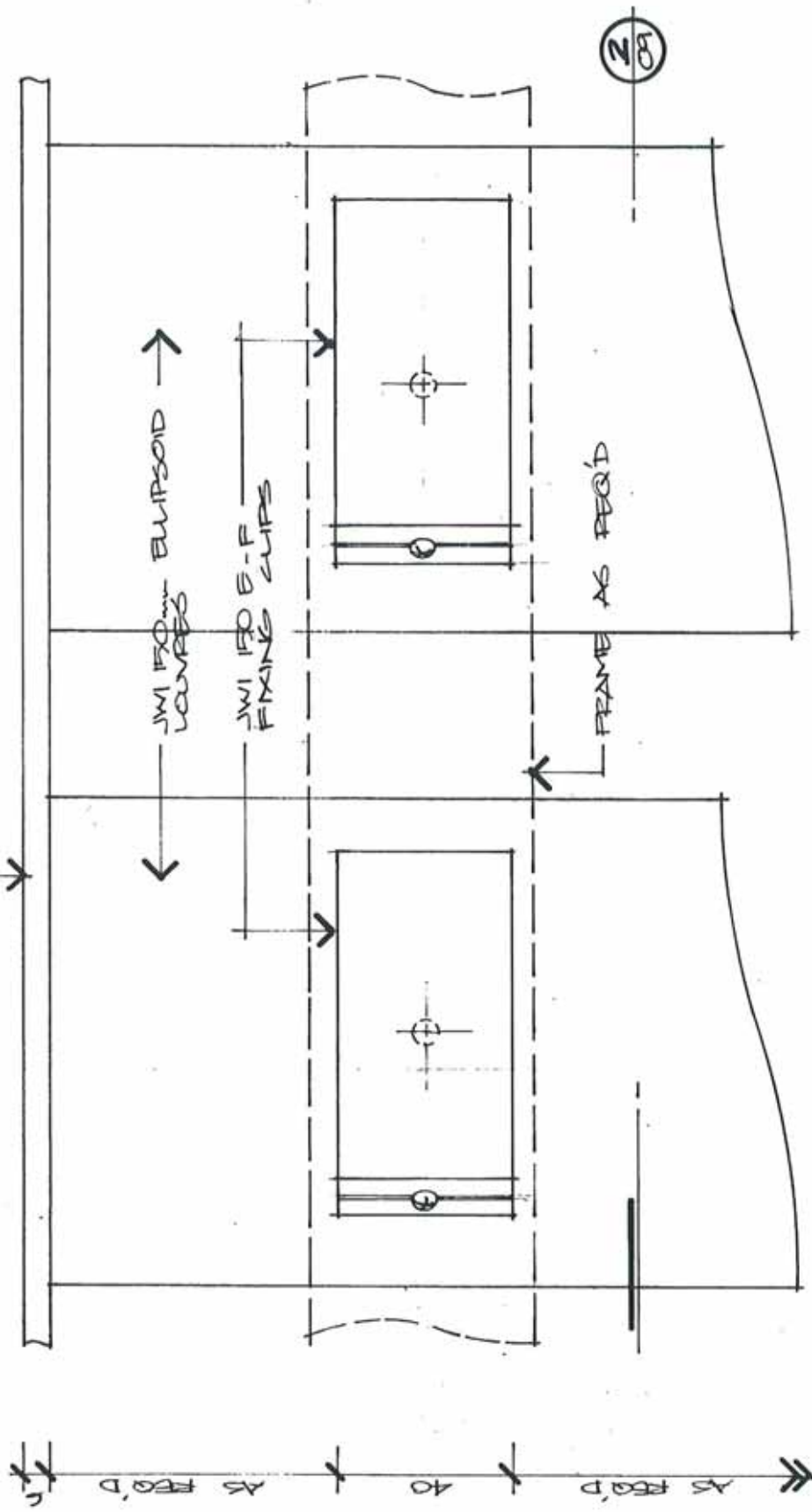
SYSTEM:	<b>JWI 150.E - F</b>	DWG No.:	<b>150-07</b>
PART No.:		PAGE No.:	
DWG TITLE:	<b>150mm ELLIPSOID - FIXED DETAILS</b>		

6mm TH. AL. END FLANGES -  
TYPICAL

JWI 150mm ELLIPSOID  
LOUVRES

JWI 150 E-F  
FIXING CLIPS

FRAME AS REQ'D



AS REQ'D 40

PLAN  
1:1 DAB  
1/08

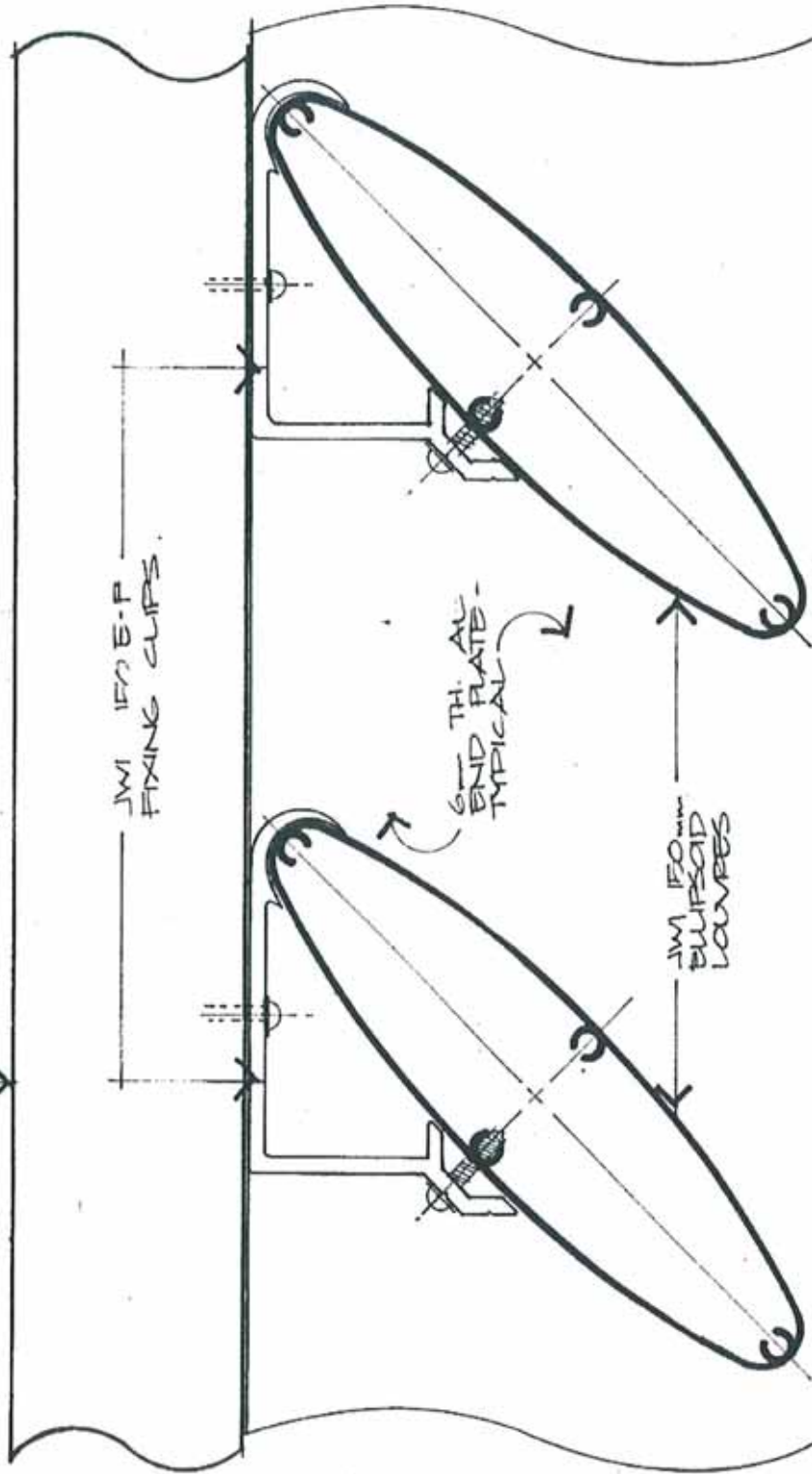


**JWI LOUVRES PTY. LTD.**  
31 Prime Drive  
Seven Hills NSW 2147  
Ph: 02 9674 3600 Fax: 02 9674 3530

SYSTEM:	<b>JWI 150.E - F</b>	DWG No.:	<b>150-08</b>
PART No.:			
DWG TITLE:	<b>150mm ELLIPSOID - FIXED DETAILS</b>	PAGE No.:	



FRAME AS REQ'D



45° - STANDARD  
OR AS REQ'D.

148 - STANDARD  
OR AS REQ'D.

2  
08  
DETAIL  
1:1 RAS



**JWI LOUVRES PTY. LTD.**

31 Prime Drive  
Seven Hills NSW 2147  
Ph: 02 9674 3600 Fax: 02 9674 3530

SYSTEM:

**JWI 150.E - F**

DWG No.:

**150-09**

PART No.:

DWG TITLE:

**150mm ELLIPSOID - FIXED  
DETAILS**

PAGE No.: